

GZFI8043.5

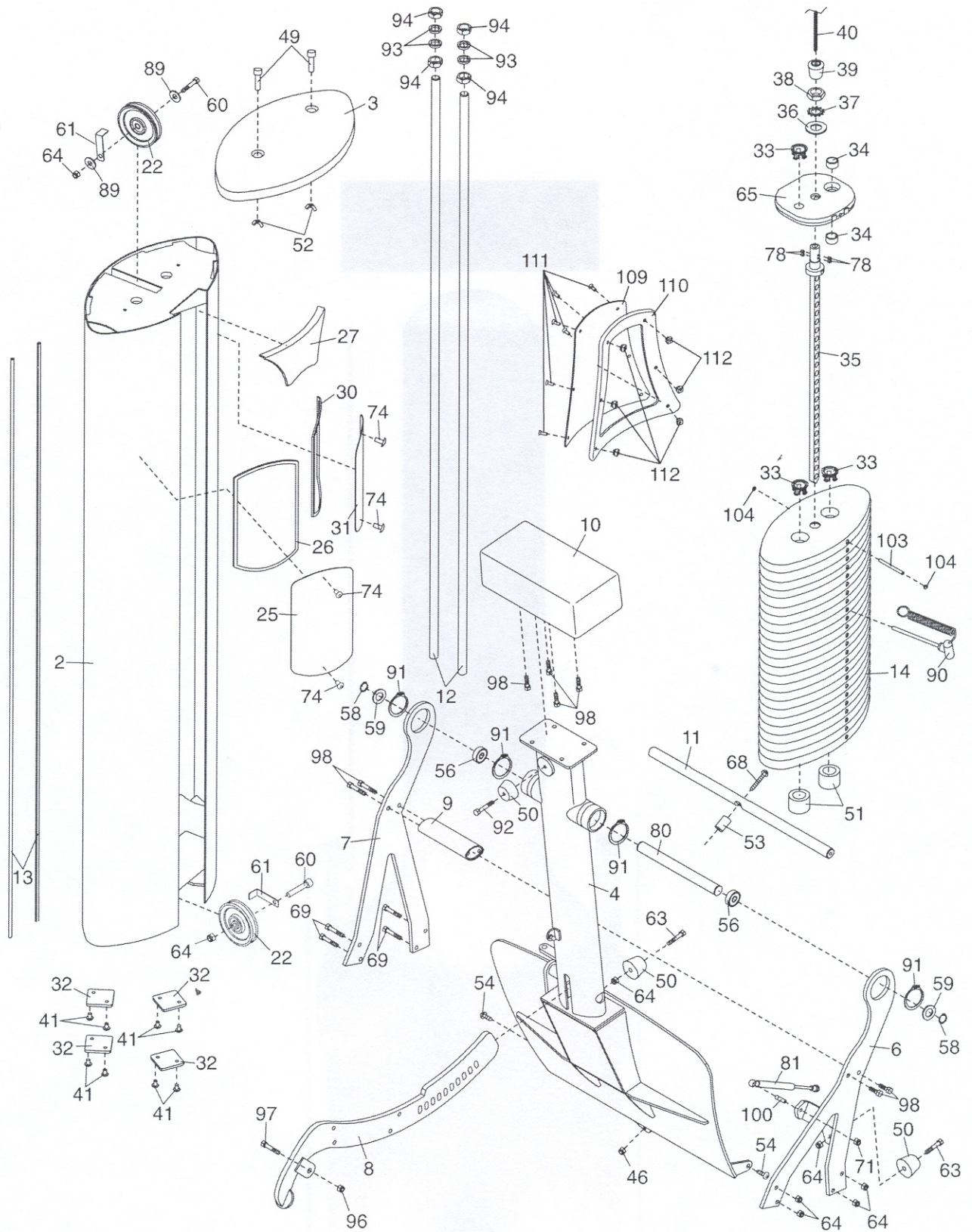
<u>Key</u>	<u>Part Number</u>	<u>Description</u>	<u>Qty.</u>
1	GZ5571	BASE	1
2	GZ5578	TOWER	1
3	GZ3453	TOWER COVER	1
4	GZ9417	FOOT PLATE	1
5	GZ5529	CAM	1
6	GZ4322	LEFT BRACE	1
7	GZ30406	RIGHT BRACE	1
8	GZ2315	SELECTOR BRACKET	1
9	GZ4324	BRACE TUBE	1
10	GZ9605	COUNTER WEIGHT	1
11	GZ1557	FOOT PLATE BAR	1
12	GZ3248-03	WEIGHT GUIDE	2
13	GZ1504	LONG TRIM	2
14	GZ30599	WEIGHT	24
15	GZ5108-05	SEAT	1
16	GZ5108-20	BACKREST	1
17	GZ4323	BACKREST FRAME	1
18	GZ4140	RIGHT HANDLE	1
19	GZ4141	LEFT HANDLE	1
20	GZ1486	BASE FOOT	2
21	GZ1074	5/16" WASHER	4
22	GZ1003-08	PULLEY	4
23	GZ30405	THREADED CLAMP END	1
24	GZ4327	CLAMP CENTER	1
25	GZ30348	LONG PANEL	1
26	GZ1566	LONG PANEL FRAME	1
27	GZ3516	COVER	1
28	GZ30409	LONG CLAMP END	1
29	GZ1584	BUMPER	1
30	GZ1567	SHORT PANEL FRAME	1
31	GZ30347	SHORT PANEL	1
32	GZ1517	TOWER FOOT	4
33	GZ1391-01	WEIGHT INSERT	49
34	GZ1020	GUIDE BUSHING	2
35	GZ5538	WEIGHT ROD	1
36	GZ1431	1" WASHER	1
37	GZ1419	STAR WASHER	1
38	GZ1418	1-14 UNF NUT	1
39	GZ1353	COUPLER COVER	1
40	GZ5020-36	WEIGHT CABLE	1
41	GZ1012-07	3/8" X 1/2" BUTTON BOLT	16
42	GZ1732	HANDLE GRIP	2
43	GZ1560	TAPERED POP-PIN	1
44	GZ1503	BACKREST KNOB	1
45	GZ1580	LONG BASE FOOT	1
46	GZ1094	1/4" LOCKNUT	5
47	GZ30407	BACKREST BRACKET	1
48	GZ1014-01	3/8" X 1" NON-PATCH BOLT	6
49	174796	1/4" X 1" BUTTON BOLT	2
50	GZ1111	CONE BUMPER	5
51	GZ1678	WEIGHT BUMPER	2
52	GZ1430	WINGNUT	2
53	GZ1556	SPACER	1
54	GZ1012-01	3/8" X 3/4" BUTTON SCREW	2
55	GZ3073-05	8" PIVOT ROD	1
56	GZ1011-01	1" BEARING	6
57	GZ1710	CAM BELT	1
58	GZ1018-07	1" SNAP RING	6
59	GZ1052	NYLON WASHER	6

60	GZ1013-04	3/8" X 2" BOLT	6
61	GZ3102	CABLE GUARD	4
62	GZ1009-03	1/2" X 1 1/4" SCREW	2
63	GZ1013-12	3/8" X 1 1/4" BOLT	4
64	GZ1007	3/8" NUT	17
65	GZ4392	TOP WEIGHT	1
66	GZ4330	YELLOW COVER	1
67	GZ1449	BUSHING	2
68	GZ1038-07	1/4" X 2 1/2" FLAT HEAD	1
69	GZ1013-02	3/8" X 1 3/4" BOLT	9
70	GZ1464	THREADED SPACER	1
71	12056	5/16" NUT	3
72	GZ1589	ROUNDED CLAMP END	1
73	GZ1104	1/2" -20 NUT	2
74	GZ1021-01	RIVET	12
75	GZ30402	CLAMP END	1
76	GZ1561	THREADED TAPERED POP-PIN	1
77	GZ1068	1/8" ROLL-PIN	2
78	GZ1673	5/16" X 5/16" SET SCREW	4
79	GZ30218	ANCHOR STRAP	1
80	GZ1553	10 1/2" PIVOT ROD	1
81	GZ1575	SHOCK	1
82	GZ1555	BELT PULLEY	1
83	GZ1563	3 1/2" PIVOT ROD	1
84	GZ1015-01	5/16" X 1" BOLT	2
85	GZ30408	SELECTOR TAB	1
86	GZ3677-04	SEAT PIVOT BAR	1
87	GZ4326	PEDAL BRACKET	1
88	GZ1102	1/2" ROD END	1
89	GZ1069	3/8" SERRATED WASHER	2
90	GZ1754	WEIGHT PIN	1
91	GZ1018-02	2 1/2" SNAP RING	4
92	GZ1013-01	3/8" X 3/4" SCREW	1
93	GZ1085	GUIDE ROD WASHER	4
94	GZ1084	GUIDE ROD NUT	4
95	GZ1018-09	5/8" SNAP RING	2
96	GZ1109	1/2" NYLON LOCKNUT	1
97	GZ1009-05	1/2" X 1 3/4" BOLT	1
98	GZ1013-03	3/8" X 1" SCREW	8
99	GZ1012-11	1/4" X 3/4" BUTTON SCREW	3
100	GZ1576	BALL STUD	1
101	GZ1677	SPRING	2
102	GZ1063	3/8" ROD END	1
103	GZ30786	WEIGHT TUBE PIN	1
104	194353	TUBE PIN CAP	2
105	GZ9430	4" WEAR COVER	1
106	GZ1278	#10 X 3/8" SCREW	3
107	GZ9432	18" WEAR COVER	1
108	GZ9434	9" WEAR COVER	1
109	GZ30828	PANEL ACCESS	1
110	GZ1751	PANEL GASKET	1
111	192770	1/4" X 3/4" BOLT	6
112	GZ1735	1/4" CAGE NUT	6
113	GZ5124-11	BACKREST COVER	1
114	GZ1755	HANDLE ENDCAP	2
115	GZ1756	HANDLE COLLAR	2
116	GZ1761	#10 X 1/8" SET SCREW	8
	0	NON-ILLUSTRATED PARTS	0
		WHAT PART IS NEEDED?	
#	GZ7413	OWNER'S MANUAL	1
#	GZ7413FR	OWNER'S MANUAL	1

#	GZ7413G	OWNER'S MANUAL	1
#	GZ7413IT	OWNER'S MANUAL	1
#	GZ7413SP	OWNER'S MANUAL	1
		WHAT PART IS NEEDED?	
#	GZ7003	DECAL, GENERAL WARNING	1
#	GZ7003FR	DECAL, WARNING	1
#	GZ7003G	DECAL, WARNING	1
#	GZ7003IT	DECAL, WARNING	1
#	GZ7003SP	DECAL, WARNING	1
		WHAT PART IS NEEDED?	
#	GZ7026	DECAL, SELECTOR PIN INSRT	1
#	GZ7026FR	DECAL, PIN INSERT CAUTION	1
#	GZ7026G	DECAL, PIN INSERT CAUTION	1
#	GZ7026IT	DECAL, PIN INSERT CAUTION	1
#	GZ7026SP	DECAL, PIN INSERT CAUTION	1
		WHAT PART IS NEEDED?	
#	GZ7005	DECAL, CAUTION	1
#	GZ7005FR	DCL, MOVING PARTS CAUTION	1
#	GZ7005G	DCL, MOVING PARTS CAUTION	1
#	GZ7005IT	DCL, MOVING PARTS CAUTION	1
#	GZ7005SP	DCL, MOVING PARTS CAUTION	1

EXPLODED DRAWING A—Model No. GZFI8043.5

R1106A



EXPLODED DRAWING B—Model No. GZFI8043.5

R1106A

